

RTS5 Energy Saver



HEATING



The RTS5 electronic room thermostat incorporates optimum start to increase energy savings. Volt-free contacts (suitable for combi-boilers) to provide improved comfort and economy at an affordable price.

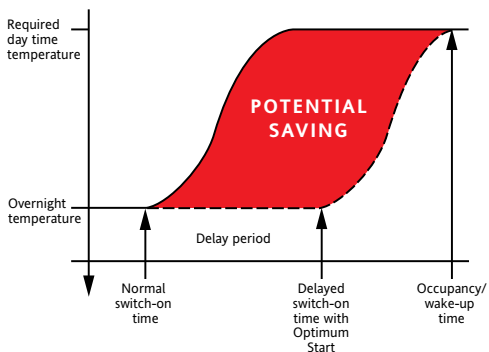
RTS5 Energy saver room thermostat with volt-free changeover contacts

Features

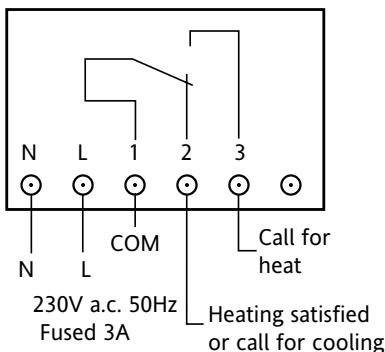
- Optimum start feature – can save over 10% of heating costs (see data sheet D31)
- Save button to override or reset optimum start feature
- Easy to install
- Helps to reduce harmful CO₂ emissions
- Led indicator

Optimum start is a money saving feature which automatically reduces the warm up time for your heating system. As the weather becomes milder, optimum start can delay the heating start times so that fuel is not wasted when rooms are brought up to temperature earlier than necessary.

Principle of optimum start



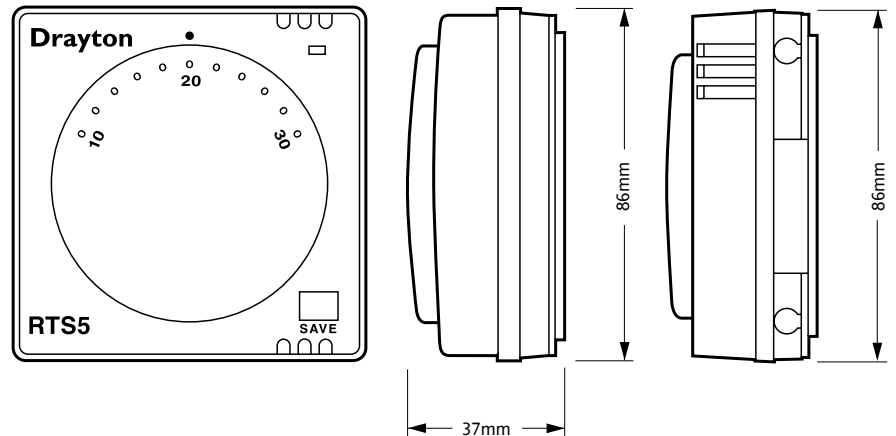
Wiring



Invensys Controls Europe

Customer Service Tel: 0845 130 5522
 Customer Service Fax: 0845 130 0622
 Technical Helpline Tel: 0845 130 7722
 Email: customer.care@invensys.com
 Website: www.draytoncontrols.co.uk

Dimensions

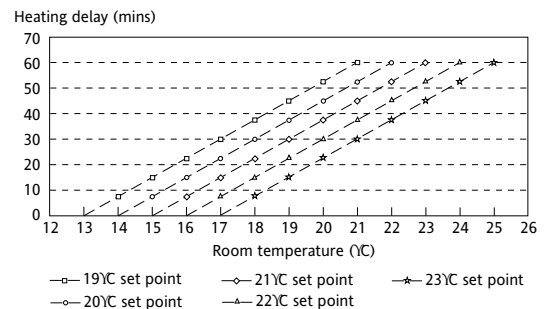


Technical data

Electrical supply	230V a.c. 50 Hz Fused 3A
Temperature sensor	Electronic
Temperature range	10°C to 30°C, with range limiting feature
Ambient temperature	Operating 0° – 45°C, Storage – 20° to 50°C
Switch type	SPDT 2(1)A
Differential	<0.6°C at 4 th hour, during normal operation
Wiring	Designed for fixed wiring only to comply with current IEE regulations
Optimum start	For a 20°C set point when programmer switches on: i) temperature below 14°C = no delay ii) temperature above 22°C = 60 mins delay (approximately) The delay will vary at temperatures between 14°C – 22°C (see graph)
LED indication	On = calling for heat Off = satisfied Flashing = saving energy
Relevant EC Directives	2006/95/EC Low Voltage Directive 2004/108/EC Electromagnetic Compatibility Directive
Applied Standards:	EN60730-1; EN60730-2-9

Optimum start delay

19 – 23°C set points.
 The delay starts when the heating clock switches on.



Available from:



D32-9